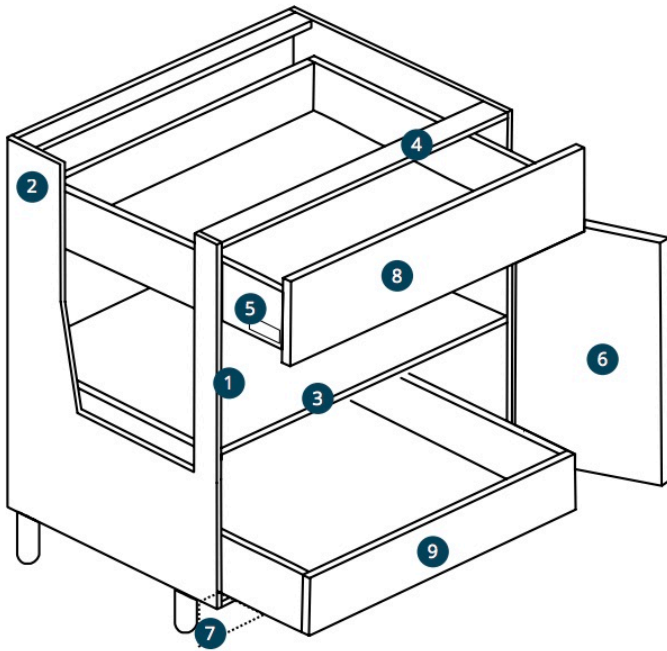


PRODUCT SPECIFICATIONS/NOTES



- 1 Frameless construction using premium, engineered wood panels, fully encased with white edgebanding.
- 2 Side and back panels are 3/4" thick white melamine veneered. Integrated finished panels or 3/4" thick overlay panels are available for exposed ends.
- 3 Shelves are full depth 3/4" thick, adjustable and edge banded. Included shelf clips are metal. Shelves are not included in sink base cabinets.
- 4 Front rail of sink base cabinets is water resistant aluminum. Front rail of standard base cabinets is MDF melamine.
- 5 Drawer boxes are full extension and soft closing. Sides are white metal. Bottom and back is 5/8" thick melamine.

- 6 Doors are 7/8" thick slab. Door reveals are 1/16". Hinges are European 6-way adjustable and soft closing. Doors are not grain matched.
- 7 Base cabinets are on plastic, adjustable legs and need additional toe kick plate. Toe kick material comes in 8' lengths. Toe kick is plastic with a brushed aluminum front plate. Toe kick features a rubber gasket for proper seal to the floor. Dealers opting for door matched toe kick can use OLF496.
- 8 Drawer reveals are 1/16". Small drawer front heights are 7 3/8". Large drawer front heights are 14 7/8". All drawer fronts align perfectly when placed next to each other, providing for a very clean and symmetrical design. See spec drawing on page 4 of catalog. Drawers are not grain matched.
- 9 Optional roll trays (ROT) are available for certain base and pantry cabinets. The optional roll trays feature the same drawer system as cabinet drawers. The front panel is white metal.

DOOR CLEARANCE

Because of the full overlay, clearance of doors and drawers must be taken into consideration during the design process to assure proper operation of all doors, drawers and roll trays.

SINGLE DOOR CABINET HINGING

All single door cabinets feature one cabinet side prepped for hinges. For assembled jobs, please specify hinged side for all single door cabinets at time of order.

VANITY CABINETS

All vanity cabinets are 34 1/2" tall and 21" deep. Full height door vanity cabinets do not come with a modesty panel to cover the sink when the doors are open.